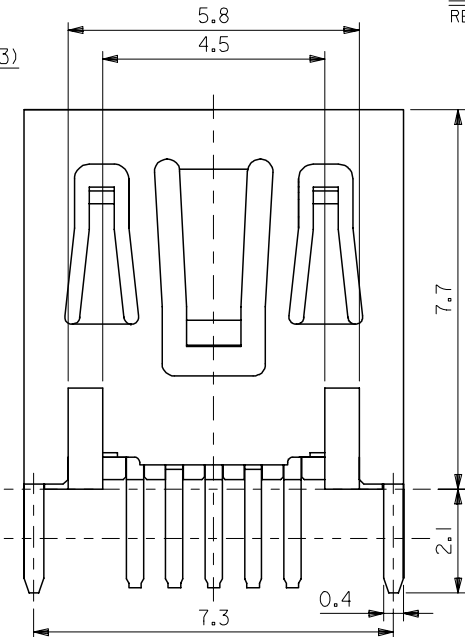
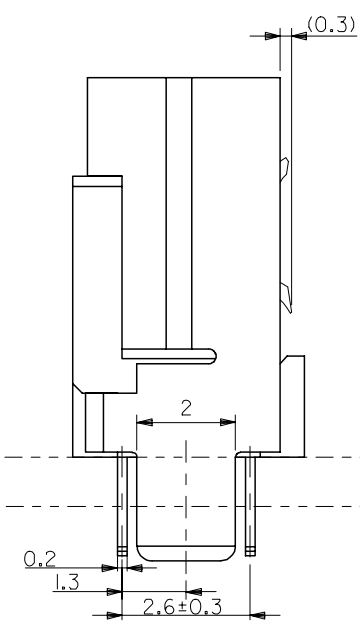
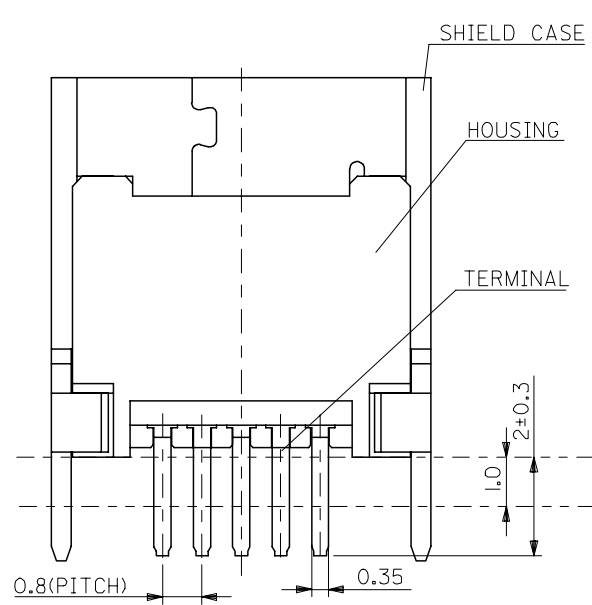


DETAILED FRONTAGE

コネクタ表装側 (CONNECTOR MOUNT SIDE)

逆側 (REVERSE SIDE)

推奨基板寸法
RECOMMENDED P.C.B. PATTERN LAYOUT



注記
NOTES

- 材質
MATERIAL
ハウジング: 耐熱樹脂 ガラス充填, 黒色, UL 94V-0
HOUSING: HEAT RESISTANT PLASTIC, GLASS FILLED, BLACK, UL94V-0
ターミナル: 銅合金 (t=0.2)
TERMINAL: COPPER ALLOY (t=0.2)
シールド ケース: 銅合金 (t=0.4)
SHIELD CASE: COPPER ALLOY (t=0.4)
 - メッキ仕様
PLATING
ターミナル
TERMINAL
接点部: 金メッキ
CONTACT AREA: GOLD
半田付け部: 錫メッキ
SOLDER TAIL AREA: TIN
下地部: ニッケルメッキ
UNDER PLATING: NICKEL
- シールド ケース : 銅メッキ
SHIELD CASE : TIN
下地部: ニッケルメッキ
UNDER PLATING: NICKEL

RELEASED EC NO: J2005-0595 DRAWN: MNABE 2004/08/30 CHYK: KTOJO 2004/08/30 APPR: NUKITA 2004/09/06 REV: 0	GENERAL TOLERANCES (UNLESS SPECIFIED)		DIMENSION STYLE MM ONLY		SCALE 10:1	DESIGN UNITS METRIC	THIRD ANGLE PROJECTION
	10 UNDER	±0.2	DRAWN BY MNABE I	DATE '04/08/30	TITLE USB SERIES MINI-B STRAIGHT TYPE 2 REC ASSY -LEAD FREE-		
	10 OVER 30 UNDER	±0.25	CHECKED BY KTOJO	DATE '04/08/30			
	30 OVER	±0.3	APPROVED BY NUKITA	DATE '04/08/30	MOLEX INCORPORATED		
	ANGULAR	±3 °	MATERIAL NO. 500075-1517	DOCUMENT NO. SD-500075-008			
DRAFT WHERE APPLICABLE MUST REMAIN WITHIN DIMENSIONS		SIZE A3			THIS DRAWING CONTAINS INFORMATION THAT IS PROPRIETARY TO MOLEX INCORPORATED AND SHOULD NOT BE USED WITHOUT WRITTEN PERMISSION		